

Product data sheet

Specifications



expansion module, Modicon MCM,
RS485 safe communication, 1
way, spring

XPSMCMCO0000S1G

Product availability: Non-Stock - Not normally stocked in distribution facility

Price*: 634.50 USD

Main

Range Of Product	Modicon MCM
Product Or Component Type	Safe communication expansion module
Device Short Name	XPSMCM
[Us] Rated Supply Voltage	24 V - 20...20 % DC

Complementary

Power Dissipation In W	3 W
Safety Level	Can reach category 4 ISO 13849-1 Can reach PL = e ISO 13849-1 Can reach SIL 3 IEC 61508 Can reach SILCL 3 IEC 62061
Quality Labels	CE
Range Compatibility	Preventa XPSMCM
Connector Type	4 ways RS485
Number Of Port	1
Communication Port Protocol	RS485
Current Consumption	0.125 mA
Maximum Cable Distance Between Devices	164.04 ft (50 m)
Local Signalling	LED green PWR power ON LED green RUN operating LED red E IN internal error LED red E EX external error
Connections - Terminals	2 spring clamp terminals, removable terminal block
Cable Cross Section	0.00...0.00 in ² (0.2...2.5 mm ²) - AWG 24...AWG 14 flexible without cable end 0.00...0.00 in ² (0.25...2.5 mm ²) - AWG 23...AWG 14 flexible with cable end, with bezel 0.00...0.00 in ² (0.25...2.5 mm ²) - AWG 23...AWG 14 flexible with cable end, without bezel 0.00...0.00 in ² (0.2...2.5 mm ²) - AWG 24...AWG 14 solid without cable end 0.00...0.00 in ² (0.5...1 mm ²) - AWG 20...AWG 18 flexible with cable end, with double bezel
Mounting Support	Omega 35 mm DIN rail EN 50022
Width	0.89 in (22.5 mm)
Height	3.90 in (99 mm)
Depth	4.51 in (114.5 mm)
Net Weight	0.66 lb(US) (0.3 kg)

Price is "List Price" and may be subject to a trade discount – check with your local distributor or retailer for actual price.

Environment

Product Certifications	cULus RCM TÜV
Ip Degree Of Protection	IP20
Ambient Air Temperature For Operation	14...131 °F (-10...55 °C)
Ambient Air Temperature For Storage	-4...185 °F (-20...85 °C)
Relative Humidity	10...95 %
Pollution Degree	2
Insulation	250 V AC between power supply and housing IEC 61800-5-1
Overvoltage Category	II
Electromagnetic Compatibility	Electrostatic discharge immunity test - test level: 6 kV (on contact) conforming to IEC 61000-4-2 Electrostatic discharge immunity test - test level: 20 kV (on air) conforming to IEC 61000-4-2 Susceptibility to electromagnetic fields - test level: 10 V/m (80...1000 MHz) conforming to IEC 61000-4-3 Susceptibility to electromagnetic fields - test level: 30 V/m (1.4 GHz...2 GHz) conforming to IEC 61000-4-3
Vibration Resistance	+/-0.35 mm 10...55 Hz)IEC 61496-1
Shock Resistance	10 gn 16 ms) 1000 shocks on each axis IEC 61496-1
Operating Altitude	6561.68 ft (2000 m)
Service Life	20 year(s)

Ordering and shipping details

Category	US1SAF222477
Discount Schedule	SAF2
Gtin	3606480748493
Returnability	No
Country Of Origin	IT

Packing Units

Unit Type Of Package 1	PCE
Number Of Units In Package 1	1
Package 1 Height	1.77 in (4.5 cm)
Package 1 Width	5.04 in (12.8 cm)
Package 1 Length	6.38 in (16.2 cm)
Package 1 Weight	6.98 oz (198.0 g)
Unit Type Of Package 2	S01
Number Of Units In Package 2	6
Package 2 Height	5.91 in (15.0 cm)
Package 2 Width	5.91 in (15.0 cm)
Package 2 Length	15.75 in (40.0 cm)
Package 2 Weight	3.16 lb(US) (1.432 kg)

Sustainability

Green Premium™ label is Schneider Electric's commitment to delivering products with best-in-class environmental performance. Green Premium promises compliance with the latest regulations, transparency on environmental impacts, as well as circular and low-CO₂ products.

Guide to assessing product sustainability is a white paper that clarifies global eco-label standards and how to interpret environmental declarations.

[Learn more about Green Premium >](#)

[Guide to assess a product's sustainability >](#)



Transparency RoHS/REACH

Well-being performance

Reach Free Of Svhc

Mercury Free

Rohs Exemption Information Yes

Pvc Free

Certifications & Standards

Reach Regulation

[REACH Declaration](#)

Eu Rohs Directive

Pro-active compliance (Product out of EU RoHS legal scope)

China Rohs Regulation

[China RoHS declaration](#)

Environmental Disclosure

[Product Environmental Profile](#)

Weee

The product must be disposed on European Union markets following specific waste collection and never end up in rubbish bins.

Circularity Profile

[End of Life Information](#)

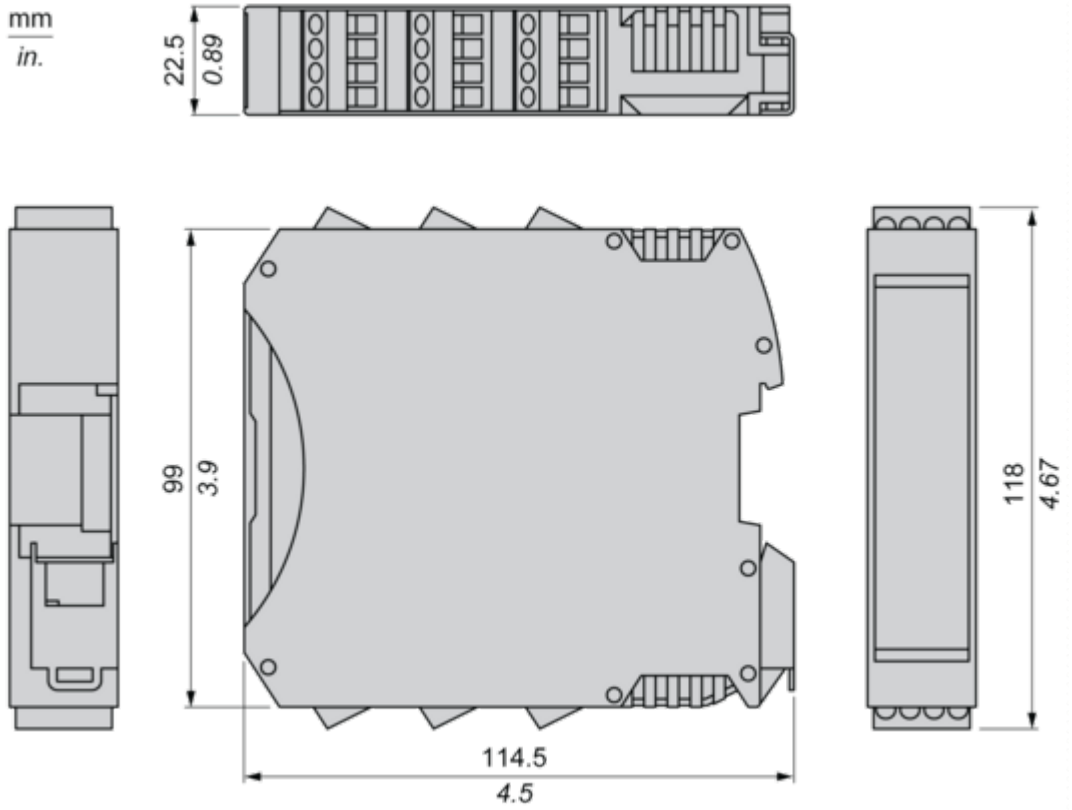
California Proposition 65

WARNING: This product can expose you to chemicals including: Lead and lead compounds, which is known to the State of California to cause cancer and birth defects or other reproductive harm. For more information go to www.P65Warnings.ca.gov

Dimensions Drawings

Dimensions

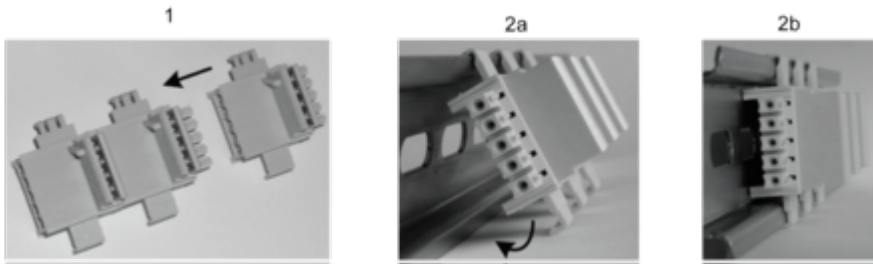
Spring Terminal



Mounting and Clearance

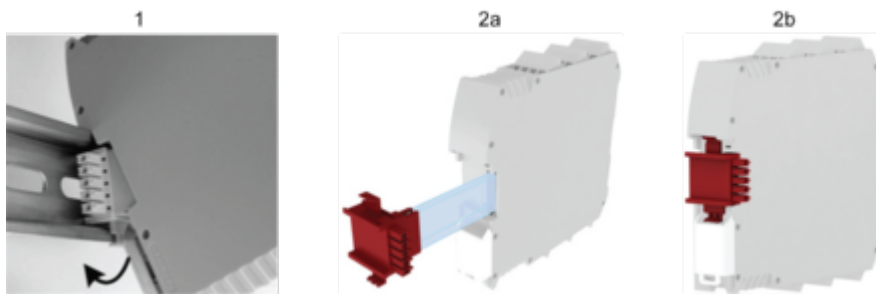
Mounting Safety Controller CPU with Module(s)

Mount BackPlane Connector on Rail



- 1 : Connect as much Backplane Connector as module to be install.
- 2 : Fix the connectors to the rail (Top first).

Mount Safety Controller CPU with Other Module(s)

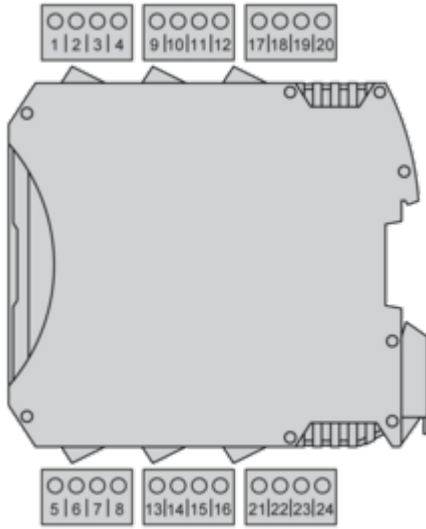


- 1 : Mount controller CPU and modules on rail.
- 2 : Make sure that the controller CPU or the module(s) are plugged on the BackPlane connector.

Connections and Schema

Wiring

Terminal Designation



Terminal	Signal
1	24 VDC
2	not connected
3	BRAIDING CH1
4	0 VDC
5	not connected
6	not connected
7	not connected
8	not connected
9	CH1-A
10	CH1-B
11	CH1-C
12	CH1-D
13	not connected
14	not connected
15	not connected
16	not connected

